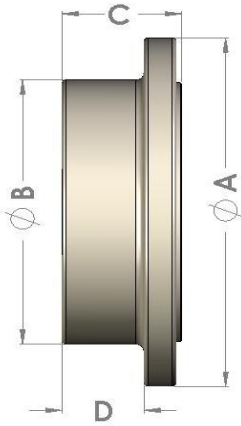
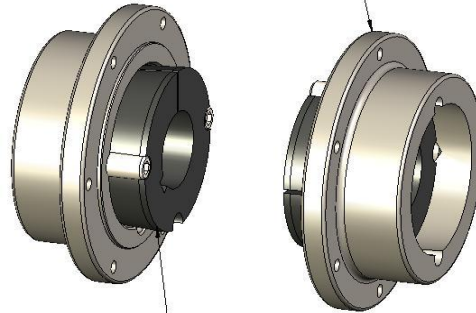


Alignment Eliminator ®		FLANGE SPECIFICATION		
PARAMETERS	UNIT	AE2	AE3	AE4
Dimension ØA	mm	148.0	215.0	272.5
Dimension ØB	mm	110.0	135.0	163.0
Dimension C	mm	42.5	67.0	82.0
Dimension D	mm	30.5	39.0	51.0



AE Quick Connect Flange



AE Taper Lock Bush
(Shown extended for display purpose only)

TAPER LOCK BUSHES TABLE											
AE2 COUPLING BUSH				AE3 COUPLING BUSH				AE4 COUPLING BUSH			
METRIC		IMPERIAL		METRIC		IMPERIAL		METRIC		IMPERIAL	
Bore Ø (mm)	Product Code	Bore Ø (inch)	Product Code	Bore Ø (mm)	Product Code	Bore Ø (inch)	Product Code	Bore Ø (mm)	Product Code	Bore Ø (inch)	Product Code
16	AE2-16	0.750	AE2-0.750	25	AE3-25	1.250	AE3-1.250	35	AE4-35	1.500	AE4-1.500
18	AE2-18	0.875	AE2-0.875	28	AE3-28	1.375	AE3-1.375	38	AE4-38	1.625	AE4-1.625
19	AE2-19	1.000	AE2-1.000	30	AE3-30	1.500	AE3-1.500	40	AE4-40	1.750	AE4-1.750
20	AE2-20	1.125	AE2-1.125	32	AE3-32	1.625	AE3-1.625	42	AE4-42	1.875	AE4-1.875
22	AE2-22	1.250	AE2-1.250	35	AE3-35	1.750	AE3-1.750	45	AE4-45	2.000	AE4-2.000
24	AE2-24	1.375	AE2-1.375	38	AE3-38	1.875	AE3-1.875	48	AE4-48	2.125	AE4-2.125
25	AE2-25	1.500	AE2-1.500	40	AE3-40	2.000	AE3-2.000	50	AE4-50	2.250	AE4-2.250
28	AE2-28	1.625	AE2-1.625	42	AE3-42	2.125	AE3-2.125	55	AE4-55	2.375	AE4-2.375
30	AE2-30	1.750	AE2-1.750	45	AE3-45	2.250	AE3-2.250	60	AE4-60	2.500	AE4-2.500
32	AE2-32	1.875	AE2-1.875	48	AE3-48	2.375	AE3-2.375	65	AE4-65	2.625	AE4-2.625
35	AE2-35	2.000	AE2-2.000	50	AE3-50	2.500	AE3-2.500	70	AE4-70	2.750	AE4-2.750
38	AE2-38	2.125	AE2-2.125	55	AE3-55	2.625	AE3-2.625	75	AE4-75	2.875	AE4-2.875
40	AE2-40	2.250	AE2-2.250	60	AE3-60	2.750	AE3-2.750	80	AE4-80	3.000	AE4-3.000
42	AE2-42	2.375	AE2-2.375	65	AE3-65	2.875	AE3-2.875	85	AE4-85	3.125	AE4-3.125
45	AE2-45	2.500	AE2-2.500	70	AE3-70	3.000	AE3-3.000	90	AE4-90	3.250	AE4-3.250
48	AE2-48			75	AE3-75			95	AE4-95	3.375	AE4-3.375
50	AE2-50									3.500	AE4-3.500
55	AE2-55									3.625	AE4-3.625
60	AE2-60									3.750	AE4-3.750
										4.000	AE4-4.000