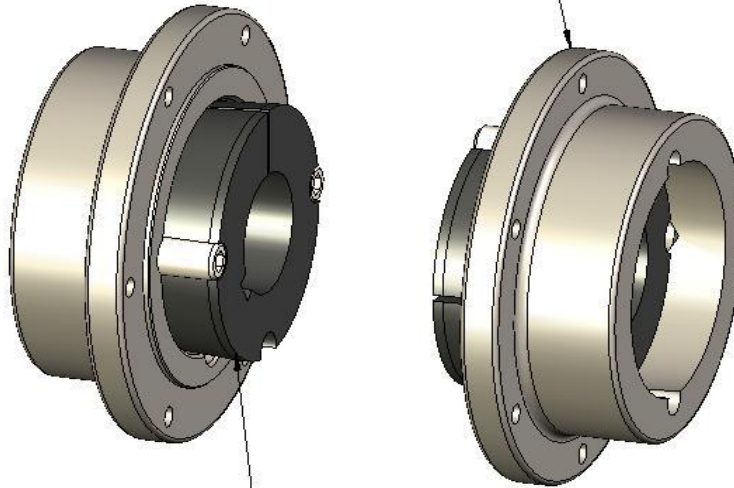


### AE Quick Connect Flange



**AE Taper Lock Bush**  
(Shown extended for display purpose only)

**TAPER LOCK BUSHES TABLE**

AE2 COUPLING BUSH				AE3 COUPLING BUSH				AE4 COUPLING BUSH			
METRIC		IMPERIAL		METRIC		IMPERIAL		METRIC		IMPERIAL	
Bore $\phi$ (mm)	Product Code	Bore $\phi$ (inch)	Product Code	Bore $\phi$ (mm)	Product Code	Bore $\phi$ (inch)	Product Code	Bore $\phi$ (mm)	Product Code	Bore $\phi$ (inch)	Product Code
16	AE2-16	0.750	AE2-0.750	25	AE3-25	1.250	AE3-1.250	35	AE4-35	1.500	AE4-1.500
18	AE2-18	0.875	AE2-0.875	28	AE3-28	1.375	AE3-1.375	38	AE4-38	1.625	AE4-1.625
19	AE2-19	1.000	AE2-1.000	30	AE3-30	1.500	AE3-1.500	40	AE4-40	1.750	AE4-1.750
20	AE2-20	1.125	AE2-1.125	32	AE3-32	1.625	AE3-1.625	42	AE4-42	1.875	AE4-1.875
22	AE2-22	1.250	AE2-1.250	35	AE3-35	1.750	AE3-1.750	45	AE4-45	2.000	AE4-2.000
24	AE2-24	1.375	AE2-1.375	38	AE3-38	1.875	AE3-1.875	48	AE4-48	2.125	AE4-2.125
25	AE2-25	1.500	AE2-1.500	40	AE3-40	2.000	AE3-2.000	50	AE4-50	2.250	AE4-2.250
28	AE2-28	1.625	AE2-1.625	42	AE3-42	2.125	AE3-2.125	55	AE4-55	2.375	AE4-2.375
30	AE2-30	1.750	AE2-1.750	45	AE3-45	2.250	AE3-2.250	60	AE4-60	2.500	AE4-2.500
32	AE2-32	1.875	AE2-1.875	48	AE3-48	2.375	AE3-2.375	65	AE4-65	2.625	AE4-2.625
35	AE2-35	2.000	AE2-2.000	50	AE3-50	2.500	AE3-2.500	70	AE4-70	2.750	AE4-2.750
38	AE2-38	2.125	AE2-2.125	55	AE3-55	2.625	AE3-2.625	75	AE4-75	2.875	AE4-2.875
40	AE2-40	2.250	AE2-2.250	60	AE3-60	2.750	AE3-2.750	80	AE4-80	3.000	AE4-3.000
42	AE2-42	2.375	AE2-2.375	65	AE3-65	2.875	AE3-2.875	85	AE4-85	3.125	AE4-3.125
45	AE2-45	2.500	AE2-2.500	70	AE3-70	3.000	AE3-3.000	90	AE4-90	3.250	AE4-3.250
48	AE2-48			75	AE3-75			95	AE4-95	3.375	AE4-3.375
50	AE2-50									3.500	AE4-3.500
55	AE2-55									3.625	AE4-3.625
60	AE2-60									3.750	AE4-3.750
										4.000	AE4-4.000