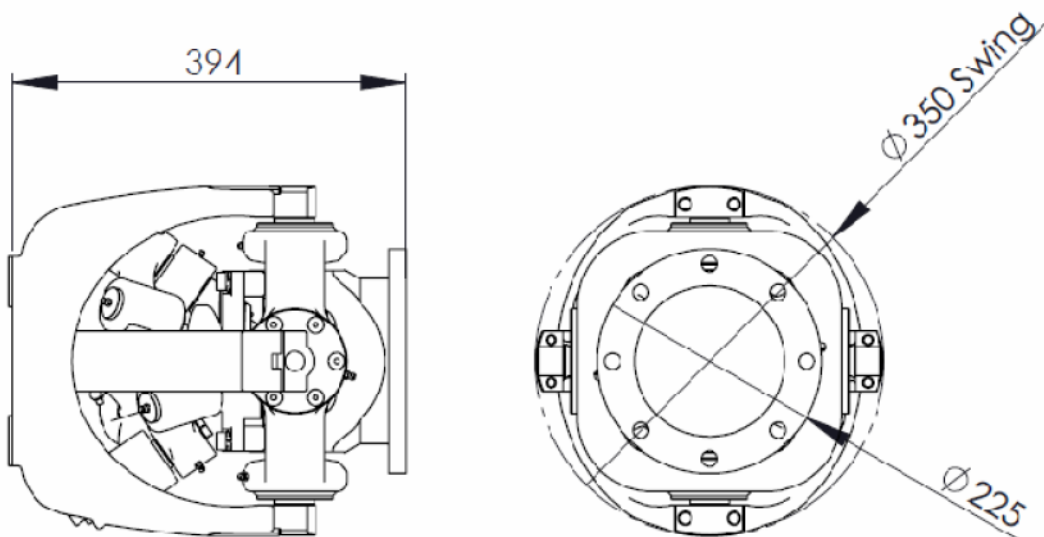


Thompson Constant Velocity Joint (TCVJ®)

8C-5 Specification

Nominal design torque	6,350 Nm ⁽¹⁾
Max. Torque	24,000 Nm
Design speed max	1,000 rpm
Full articulation angle	5 degrees
L ₁₀ bearing life	Contact us for your specific applications
Max service temperature	Up to 120 degs C
Coupling efficiency	> 99.95% ⁽²⁾
Connection details	<ul style="list-style-type: none"> • Flange 225mm dia 8 bolt on 195mm PCD male end • Flange 4 bolt "mechanics 9C" pattern
Overall dimensions	<ul style="list-style-type: none"> • Max swing diameter - 350 mm • Overall length - 394 mm • Weight – 80,67 kgs • Rotational moment of inertia – 0,945 kgm²



Notes:

- (1) rated torque based on speed of 1,000 rpm, 5 degree angle, L₁₀ bearing life 2,000 hrs
- (2) efficiency determined from independent testing authority based on a range of angles, speeds and toque loading scenarios.